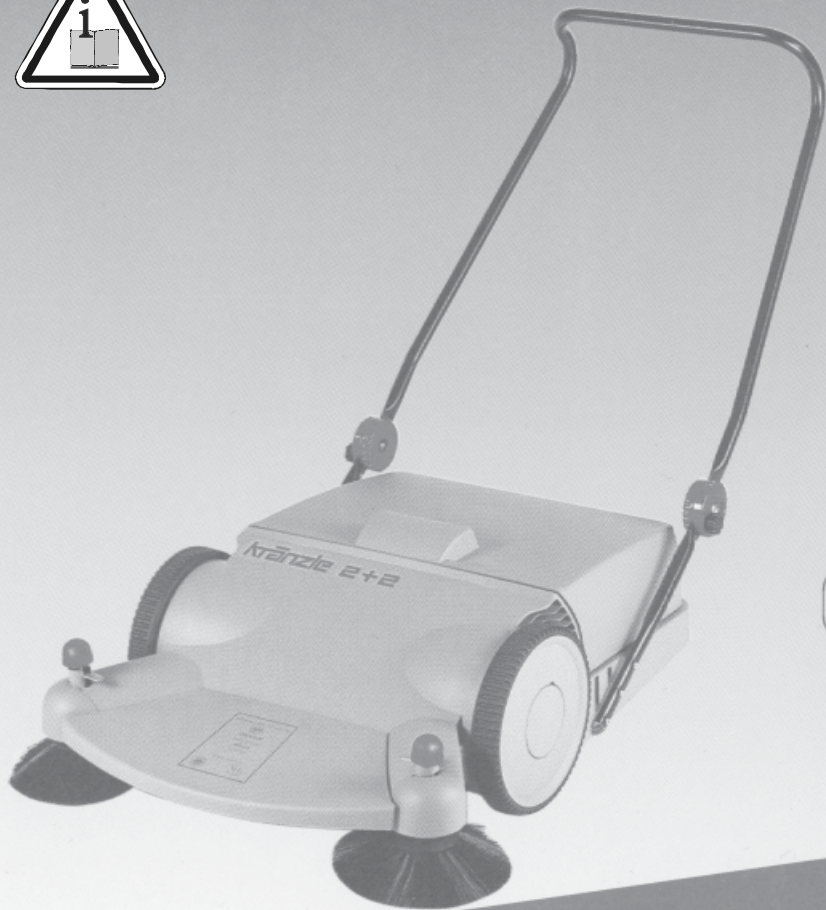


Kränzle®

GB

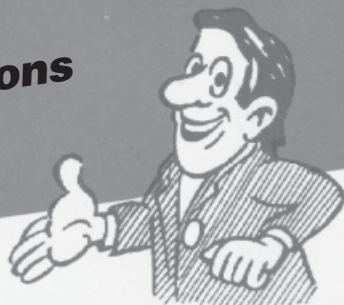
Power sweeper 2+2



■ made
■ in
■ Germany



Operating instructions



Description

Dear Customer

Congratulations on your new sweeper!

For your convenience, a description of the machine is provided on the following pages.

Technical specifications

Method of operation:	2- roller hasp principle
Working width:	800 mm
Weight:	17 kg
Container capacity:	40 litres
Brushes:	heavy duty polypropylene
Seeping rate:	approx. 3000 m ² / hr

The machine is fully recyclable. It is made completely of polypropylene "PP" and natural rubber. The brush rollers are made of wood.

The machine is PVC - FREE and one hundred percent.....

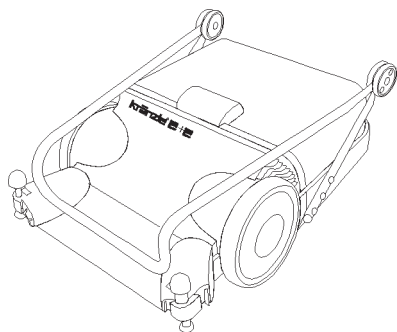
... made by 

The sweeper is designed for use on a level surface.

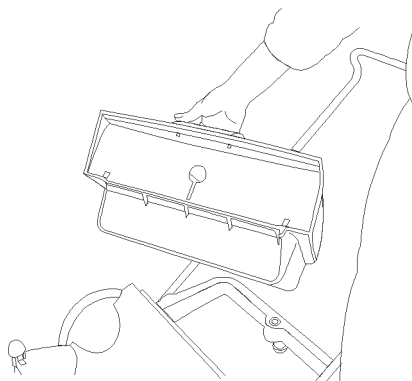
With the side brushes pressed, you can push the machine easily over the surface to be cleaned. This should be done at normal walking speed (approx 3 km/ hr). The seeping rate depends on the speed the brush rollers rotate, and this in turn depends on the speed the machine is pushed. The pushing force required is between 3 and 3,5 kg, depending on the surface,

If you wish to move the machine for longer distances without sweeping, pull it backwards so that the sweeping function is disabled by the built-in free-wheel feature.

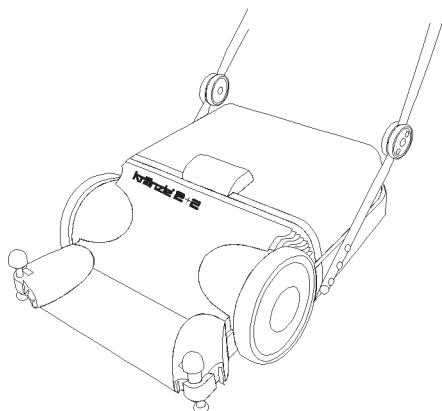
Assembly for side brushes and push handle



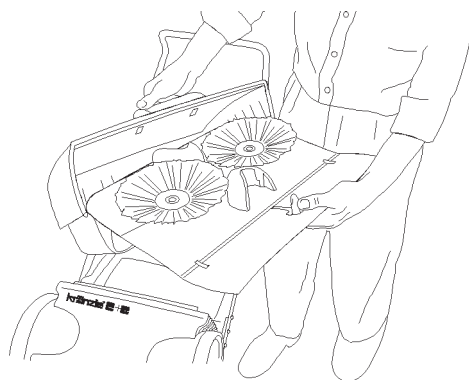
Place the machine on the ground



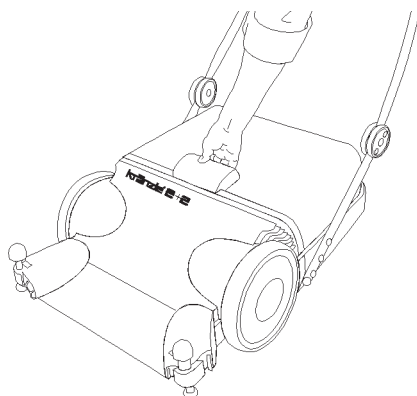
.. and lift it out



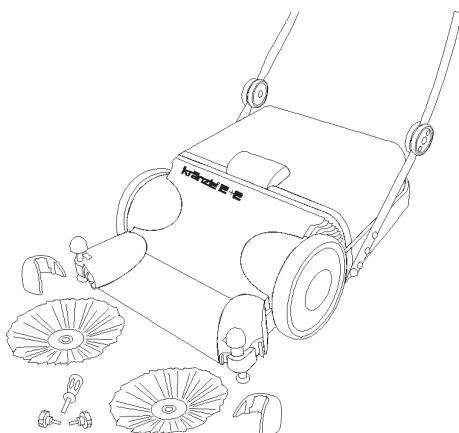
Pull the push handle upwards



Pull the cover of the interior.

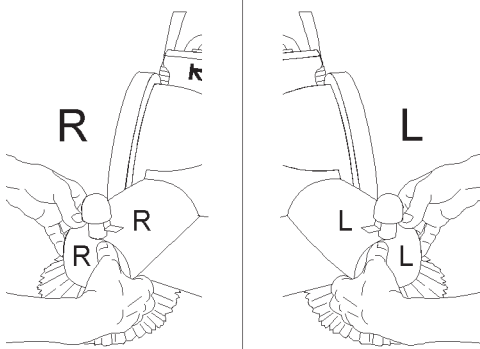


Grip the collector handle...

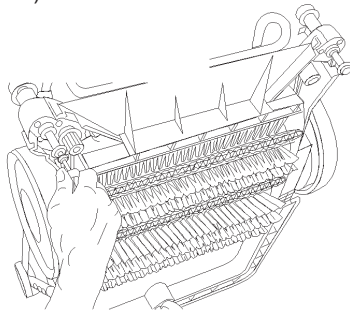


...and place the accessories on the ground

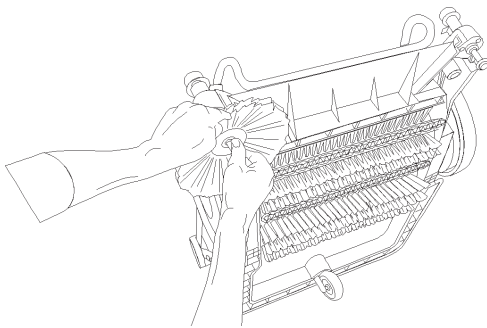
Assembly of side brushes and push handle



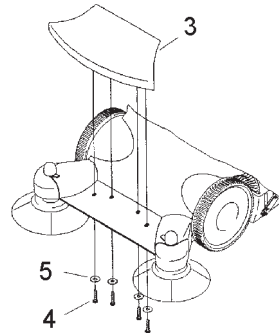
Now press the safety caps from above, making sure that they are attached to the correct sides (engraved right and left).



Fold back the handle on the machine. Now put the sweeper upside down on the ground and using the screwdriver provided, remove the screw from the brass axle of the inlet brush.



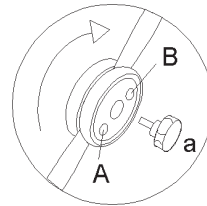
First place washer no. 72 on side brush no. 74 above the ball bearing and place both on bearing bolt A. Tighten the screw with safety washers no. 76 and no. 77 into the bolt.



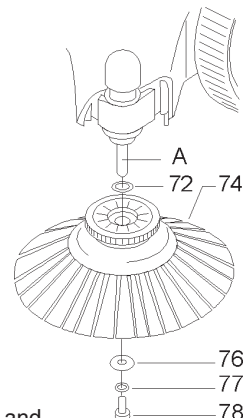
Loosen the four plastic screws (4) on the underside of the dust spoiler (3) and place the screws with the plain washer (5) on the ground.

Press the spoiler from the top onto the housing. Now turn the screws with the plain washer from below through the holes in the housing into the spoiler.

Now use the screwdriver provided to tighten the screws.



Fix the push bar into the work position in hole (A) using the star screws provided (a).



Description

To empty the container

When the dirt container is full, take hold of the handle and simply pull it upwards. The contents can then be disposed of accordingly. Replace the container in the reverse order.

Loading brushes

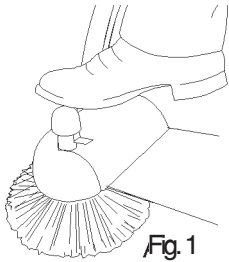


Fig.1

Press the two brush heads to put the inlet brushes into the work position. The height of the side brushes can be adjusted on both sides.

Unloading the brushes

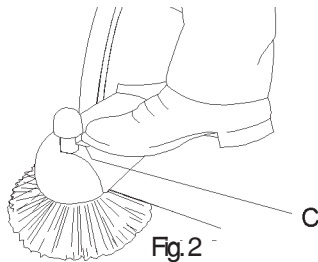
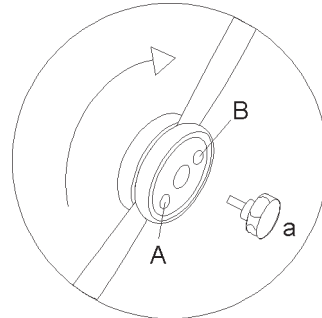
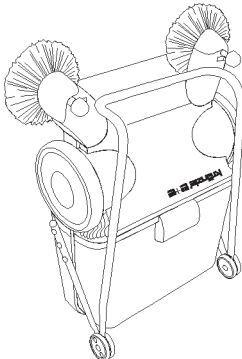


Fig.2

When the inlet brushes are no longer required, press the release lever briefly and the brushes will engage in the rest position.

Storage

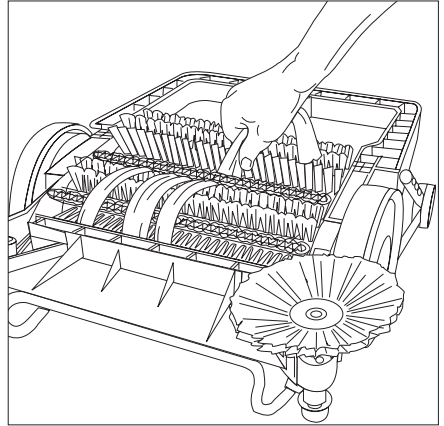
To release the constant pressure from the side brushes, it is recommended after each use to move the machine approx. 5 cm backwards, in order to relieve the bristles and to raise the side brushes using the lever (c) (fig. 2). This prevents the bristles from deforming and diminishing their cleaning efficiency.



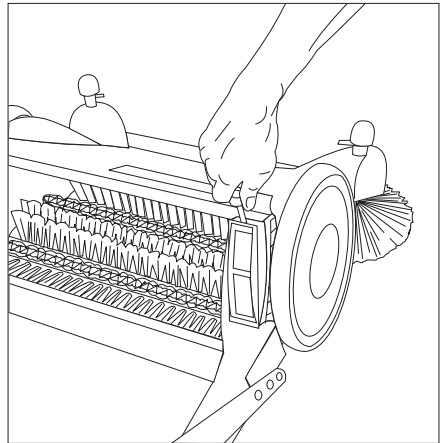
To release strain on the bristles of the sweeping rollers and to save space in storage, you can unscrew the star screws (a) on the left and right of the push bar, fold the bar forwards into the parking position and replace the screw in hole B. The machine can now be stored vertically and requires less space. The container does not need to be emptied to do this.

Servicing

No work need to be done on the machine because it does not require servicing. However, you should check after each use that there are no threads, wire or strips of material round the roller. If there are any, they should be removed immediately since it will otherwise be impossible for the machine to operate properly.



In the event of heavy soiling, grasp the dust filters (left and right) behind the cassette using the screw driver, lift them out completely and either clean the filter or replace it.



Filter paper:
Art.-no. 50.130

Repair set:
filter cassette complete:
Art.-no. 50.190

Warranty

This warranty covers material and/or workmanship related defects only and does not extend to ordinary wear.

Machine must be operated according to enclosed operating instructions which are part of present warranty conditions.

All products sold directly to private customers are warranted for a period of 24 months, whereas the warranty period for industrial purchases is limited to 12 months.

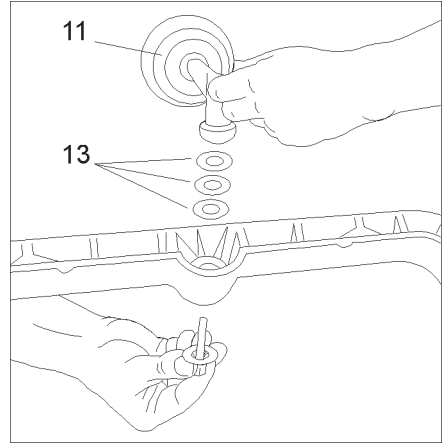
In case of any warranty claims, please have your HP cleaner together with accessories and your purchase document ready and contact your nearest dealer or authorized service point which can also be looked up in the internet at www.kraenzle.com .

Servicing

When the rollers are worn, the sweeper can be placed approx. 1 - 1,5 mm lower by removing the two washers no. 13 (see page 10).

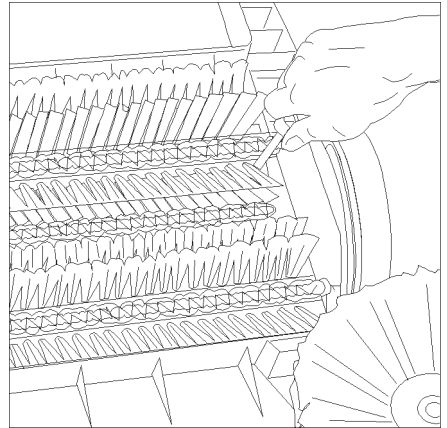
Important:

***One** washer no. 13 must always be kept under the screw hole to avoid damaging to the plastic frame*

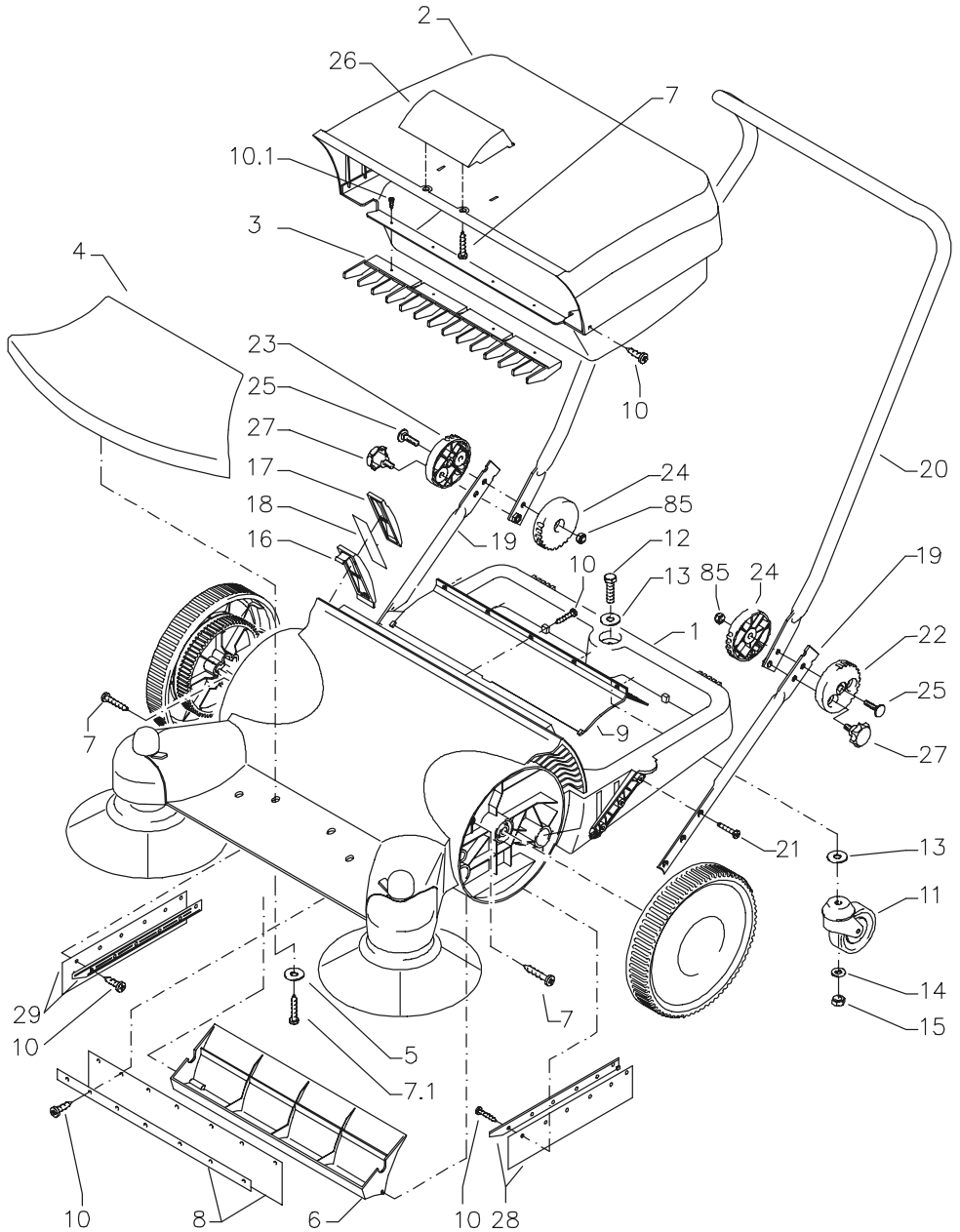


Easy replacement of brush rollers:

- 1) Put the machine upright on the joints of the folded-in push bar and the frame.
- 2) Turn the brush roller until the two screws no. 34 on the left and right side respectively are visible (see page 12) and remove these 4 screws.
- 3) Turn the brush rollers another half-turn and remove them by pulling them out.
- 4) Fit the new rollers in the reverse order.



Complete machine



Kränzle Power Sweeper 2 + 2

Spare parts list Power Sweeper 2 + 2 Complete machine

Pos.	Description	Qty.	Part no.
1	Housing	1	50.102
2	Dirt collector	1	50.101
3	Rake	1	50.151
4	Cover, front	1	50.150
5	Shim 5,3	4	50.152
6	Reject panel	1	50.105
7	Plastic screw 5,0 x 25	6	41.414
8	Clamping panel, front	1	50.171
9	Rubber lip, front	1	50.163
10	Plastic screw 3,5 x 13	31	50.170
11	Steering roller	1	50.164
12	Hexagon screw M10 x 40	1	50.180
13	Washer 10,5 DIN 9021	2	50.182
14	Washer 10,5 DIN 125	1	40.138
15	Elastic stop nut M 10	1	50.181
16	Frame for filter	2	50.128
17	Retaining frame for filter	2	50.129
18	Filter paper	2	50.130
19	Lower bar	2	50.140
20	Push bar	1	50.141
21	Plastic screw 6,0 x 30	6	43.423
22	Joint cover, outer left	1	50.142
23	Joint cover, outer right	1	50.143
24	Joint cover inside (f. left and right)	2	50.144
25	Lock screw M6	2	50.199
26	Rubber side lip	2	50.146
27	Sterngriff M8	2	50.168
28	Clamping panel left for rubber side lip	1	50.145
29	Clamping panel right for rubber side lip	1	50.147
85	Elastic stop nut M6	2	14.152 1

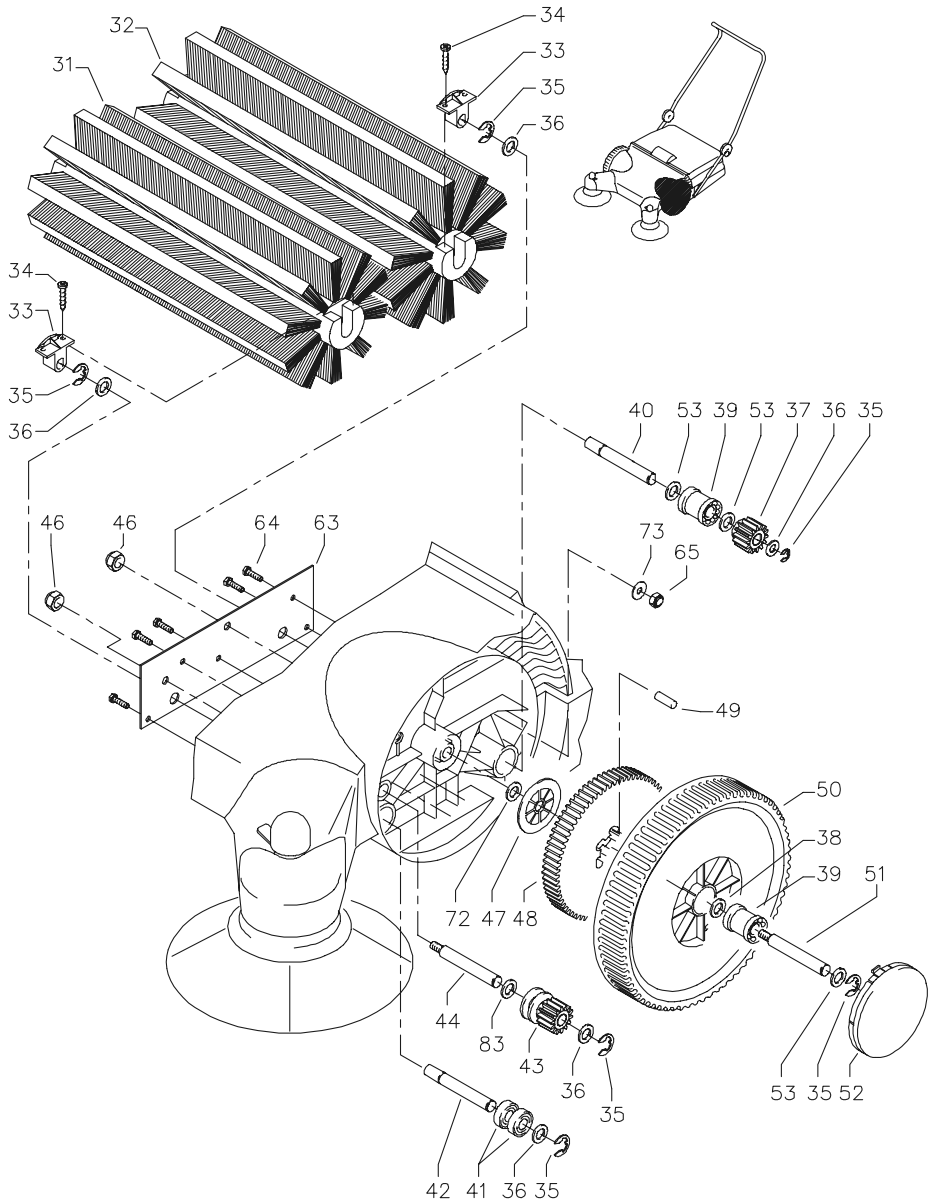
Repair set:

Filter cassette, complete

50.190

Pos. 16; Pos. 17; Pos. 18

Left wheel and sweep rollers



Kränzle Power Sweeper 2 + 2

Spare parts list Power Sweeper 2 + 2 Left wheel and sweep rollers

Pos.	Description	Qty.	Part no.
31	Brush roller, front	1	50.119
32	Brush roller, rear	1	50.120
33	Brush dog	2	50.121
34	Wooden screw 3,5 x 17	4	50.165
35	Thrust washer 10	6	50.133
36	Washer 13 DIN 433	5	50.184
37	Cog z=14	1	50.115
38	Washer 13 DIN 123	1	50.187
39	Bearing 12 / 28 / 35	2	50.155
40	Dog bolt (rear left)	1	50.126
41	Deep groove ball bearing 12 / 28 / 8	2	50.156
42	Loose bearing bolt (lower left)	1	50.122
43	Cog Z=14 with wedge (short)	1	50.116
44	Bolt for side brush drive (top left)	1	50.124
45	Washer 8,4 DIN 125	2	50.186
46	Elastic stop nut M8 x 1	2	14.152
47	Washer	1	50.113
48	Cog left z=79	1	50.109
49	Dog	6	50.111
50	Wheel	1	50.106
51	Axle	1	50.112
52	Wheel cap	1	50.108
53	Brass washer 12 x 24 x 2,5	3	50.139
63	Steel reinforcement	1	50.167
64	Hexagon screw M6 x 16	5	50.173
65	Elastic stop nut M6	5	14.152 1
72	Brass washer 12 x 24 x 4	1	50.149
73	Shim 6,4	5	50.174
83	Teflon graphite washer 14 x 24 x 2	1	41.614

Repair sets:

Wheel, complete **50.191**

Pos. 35, Pos. 38, Pos. 39, Pos. 50, Pos. 53

Brush roller, front, complete **50.192**

Pos. 31, 2 +Pos. 33, 4 +Pos. 34

Brush roller, rear, complete **50.193**

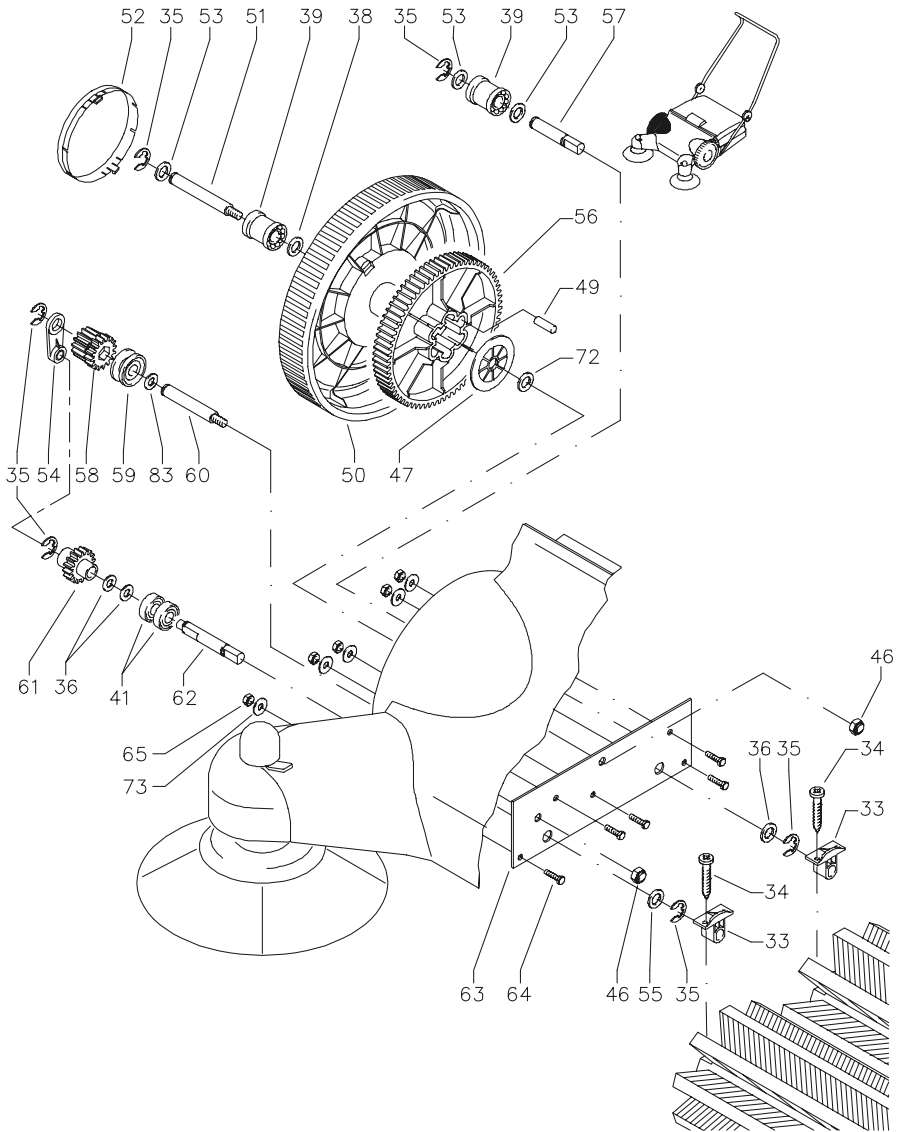
Pos. 32, 2 +Pos. 33, 4 +Pos. 34

Cog set "left" **50.196**

3 +Pos. 35, 2 +Pos. 36, Pos. 37, Pos. 43, Pos. 47

Pos. 48, 6 +Pos. 49, 2 +Pos. 53, Pos. 72, Pos. 83

Right wheel



Kränzle Power Sweeper 2 + 2

Spare parts list Power Sweeper 2 + 2 Right wheel

Pos.	Description	Qty.	Part no.
33	Brush dog	2	50.121
34	Wooden screw 3,5 x 17	4	50.165
35	Thrust washer 10	6	50.133
36	Washer 13 DIN 433	5	50.184
38	Washer 13 DIN 123	1	50.187
39	Bearing 12 / 28 / 35	2	50.155
41	Deep groove ball bearing 12 / 28 / 8	2	50.156
45	Washer 8,4 DIN 125	2	50.186
46	Elastic stop nut M8 x 1	2	14.152
47	Washer	1	50.113
49	Dog	6	50.111
50	Wheel	1	50.106
51	Axle	1	50.112
52	Wheel cap	1	50.108
53	MS-Scheibe 12 x 24 x 2,5	3	50.139
54	Counter bearing	1	50.161
55	Brass washer 12 x 20 x 1,5	1	50.166
56	Cog, right z=79	1	50.110
57	Loose bearing bolt (rear right)	1	50.125
58	Double cog	1	50.118
59	Fit-on belt washer	1	50.114
60	Bolt for side brush drive (top right)	1	50.179
61	Cog z=16	1	50.117
62	Dog bolt (lower right)	1	50.123
63	Steel reinforcement	1	50.167
64	Hexagon screw M6 x 16	5	50.173
65	Elastic stop nut M6	5	14.152 1
72	Brass washer 12 x 24 x 4	1	50.149
73	Shim 6,4	5	50.174
83	Teflon graphite washer 14 x 24 x 2	1	41.614

Repair sets:

Wheel, complete

50.191

Pos. 35, Pos. 38, Pos. 39, Pos. 50, Pos. 53

Cog set "right"

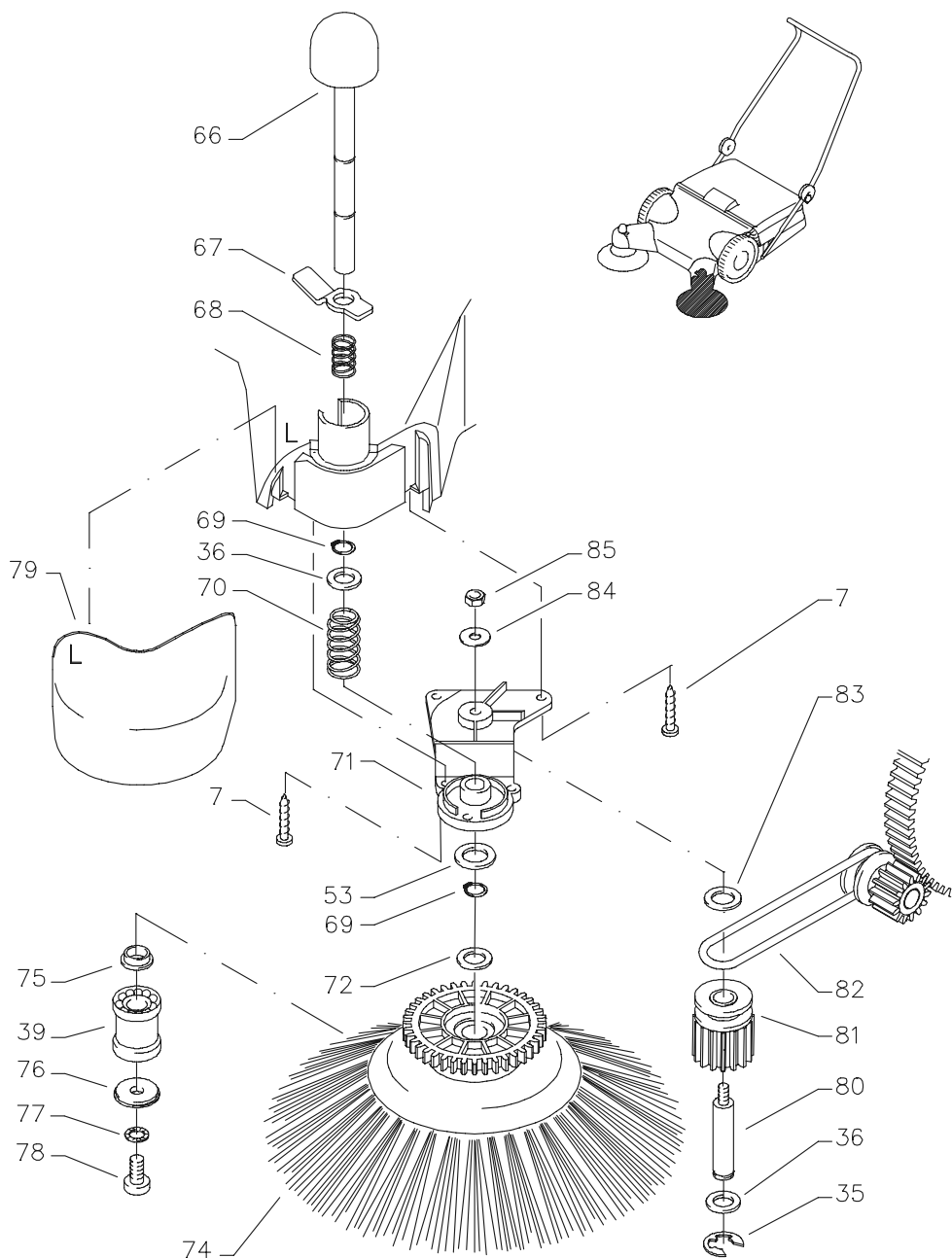
50.197

3x Pos. 35, 3x Pos. 36, Pos. 47,

6x Pos. 49, Pos. 53, Pos. 56, Pos. 58,

Pos. 59, Pos. 61, Pos. 72, Pos. 83

Left side brush



Kränzle Power Sweeper 2 + 2

Spare parts list Power Sweeper 2 + 2 Left side brush

Pos.	Description	Qty.	Part no.
7	Plastic screw 5,0 x 25	5	41.414
35	Thrust washer 10	6	50.133
36	Washer 13 DIN 433	5	50.184
39	Bearing 12 / 28 / 35	2	50.155
53	Brass washer 12 x 24 x 2,5	3	50.139
66	Engaging button	1	50.132
67	Foot rest	1	50.131
68	Pressure spring (small)	1	50.158
69	Thrust ring 12 DIN 471	2	50.137
70	Reset spring (large)	1	50.159
71	Cover for side brush	1	50.134
72	Brass washer 12 x 24 x 4	1	50.149
74	Side brush	1	50.136
75	Bushing	1	50.153
76	Shim for side brush	1	50.154
77	Thrust ring 8,4	1	40.054
78	Screw M8 x 16	1	50.138
79	Plastic cover left	1	50.103
80	Bolt for drive cog	1	50.198
81	Cog Z=14 with wedge (long)	1	50.127
82	Round belt	1	50.160
83	Teflon graphite washer 14 x 24 x 2	1	41.614
84	Washer 6,4	1	41.511
85	Elastic stop nut M6	1	14.152 1

Repair sets:

Side brush drive, complete

50.194

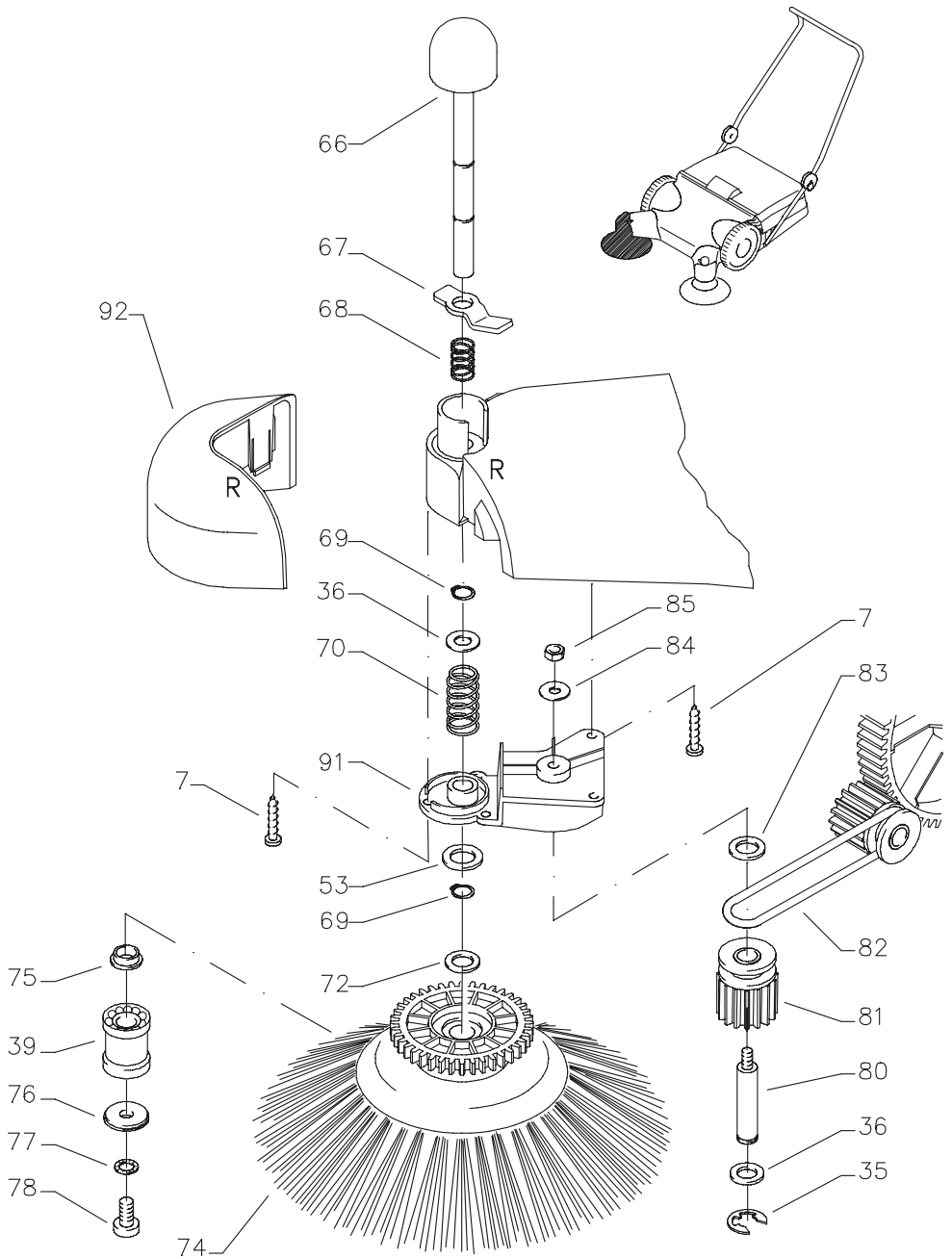
Pos. 35, Pos. 36, Pos. 81,
Pos. 82, Pos. 83

Side brush, complete

50.195

Pos. 39, Pos.72, Pos. 74, Pos. 75
Pos. 76, Pos. 77, Pos. 78

Right side brush



Kränzle Power Sweeper 2 + 2

Spare parts list Power Sweeper 2 + 2 Right side brush

Pos.	Description	Qty.	Part no.
7	Plastic screw 5,0 x 25	5	41.414
35	Thrust washer 10	6	50.133
36	Washer 13 DIN 433	5	50.184
39	Bearing 12 / 28 / 35	2	50.155
53	Brass washer 12 x 24 x 2,5	3	50.139
66	Engaging button	1	50.132
67	Foot rest	1	50.131
68	Pressure spring (small)	1	50.158
69	Thrust ring 12 DIN 471	2	50.137
70	Reset spring (large)	1	50.159
72	Brass washer 12 x 24 x 4	1	50.149
74	Side brush	1	50.136
75	Bushing	1	50.153
76	Shim for side brush	1	50.154
77	Thrust ring 8,4	1	40.054
78	Screw M8 x 16	1	50.138
80	Bolt for drive cog	1	50.198
81	Cog Z=14 with wedge (long)	1	50.127
82	Round belt	1	50.160
83	Long plastic washer 14x24x2	1	41.614
84	Washer 6,4	1	41.511
85	Elastic stop nut M6	1	14.1521
91	Cover for side brush RH	1	50.135
92	Platic cover right	1	50.104

Repair sets:

Side brush drive, complete

50.194

Pos. 35, Pos. 36, Pos. 81,
Pos. 82, Pos. 83

Side brush, complete

50.195

Pos. 39, Pos.72, Pos. 74, Pos. 75
Pos. 76, Pos. 77, Pos. 78

